

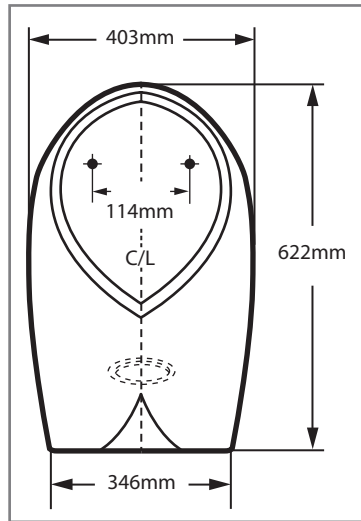
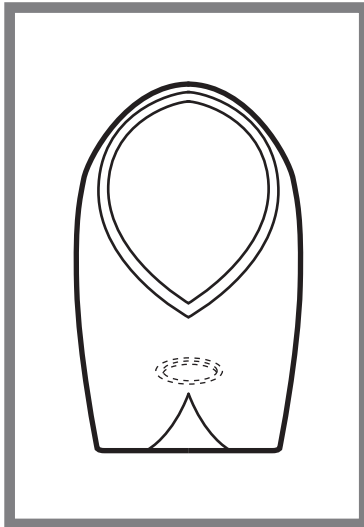


ZeroFlush® Urinal

Model #: 201

ZERO FLUSH

WATERLESS URINAL



Description:

ZeroFlush®, waterless urinals, are the culmination of proven technology, environmental concern and innovation. The patented system will provide you years of superior odour free performance and trouble free operation, improving total rest room sanitation and hygiene.

ZeroFlush® has been developed to be the most economical and environmentally friendly waterless consuming urinals in the global market.

The ZeroFlush® urinals can be used with either Odour Barrier Oil System or EnviroSeal™ system (either J-Trap or Elastomer)

All ZeroFlush® urinals come equipped with the following items to allow for complete installations:

Mounting Hardware

- Wall Bracket
- Drain Flange Coupler
- EnviroSeal™ System or Odour Barrier Oil System
- ZeroFlush® Insert Key
- Drain Insert
- Installation and Maintenance Instructions

Characteristics:

- Largest built-in waste trap of any waterless urinal
- Averages 15,000 uses or an estimated 6 months before any maintenance
- No Cartridges
- Free of odour
- Easiest to maintain and clean
- Lowest operational and maintenance cost
- No water or sewer cost
- Quickest return on investment
- Improved design reduces splash
- Easy installation and retrofitting
- Water efficiency WELS Certified
- Vitreous china and stainless steel
- No Leaky Valves
- No Hard Water Stains
- Eliminate Wasteful Flushing
- Eliminate Overflows
- Eliminate Flooding
- No Harsh Chemicals

Applications:

Visitors, Employees and Customers for all washrooms no longer need to waste expensive water (if available) while sacrificing hygiene and odour. The ZeroFlush® systems are located in the following areas:

- | | |
|--|--|
| <ul style="list-style-type: none"> o Hotels o Restaurants o Office Buildings o Food Service and Food Preparation | <ul style="list-style-type: none"> o Educational Facilities o Government o Clean Rooms o Healthcare Facilities |
|--|--|

Technical Data:

ZeroFlush® Product ZF-101
Vitreous China waterless wall hung urinal with integral housing and drain insert.
Colour: White

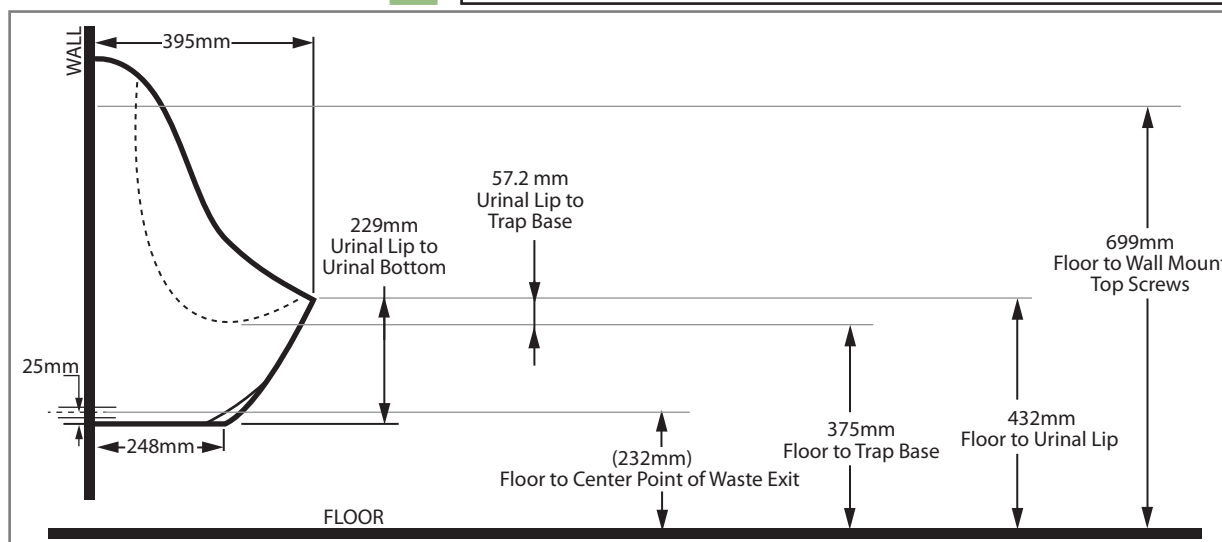
Daily Cleaning:

As with any other urinal (water and waterless), ZeroFlush® urinals should be cleaned on a regular basis.

The ZeroFlush® urinals are designed with the maintenance person in mind. Cleaning is very quick and easy.

NO scrubbing with detergents is required or the use of odour masking devices or chemicals.

WaterMark Certificate
22084 evaluated to ATS 5200.459:2004
Part 459 Waterless Urinal - Wall Hung



HEADQUARTERS
26/75 Waterway Drive
Coomera, 4209

TELEPHONE
(07) 5502 3248

INTERNET
www.aquatemp.com.au