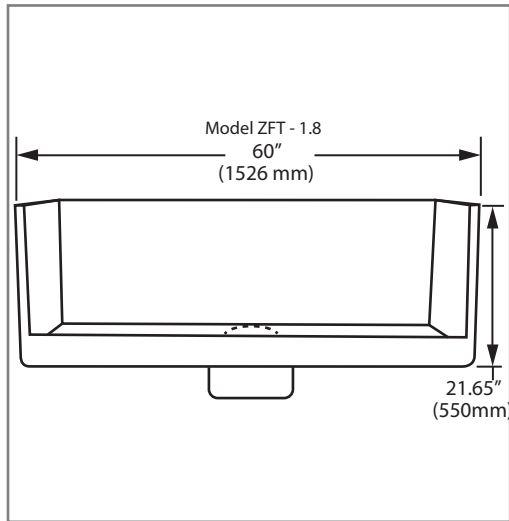
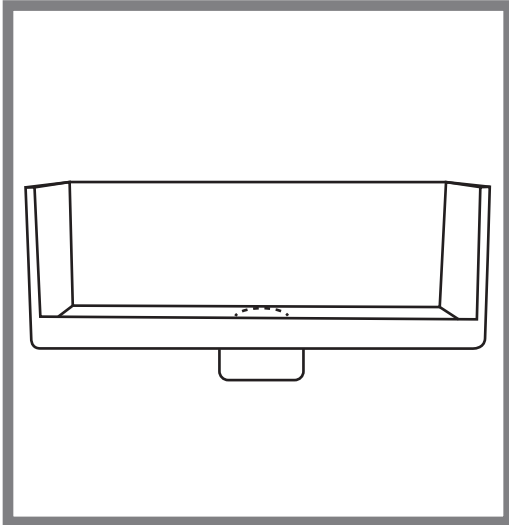




Environmental Solutions

ZeroFlush® Urinal

Trough 1526 mm



Description:

ZeroFlush®, waterless urinals, are the culmination of proven technology, environmental concern and innovation. The patented system will provide you years of superior odour free performance and trouble free operation, improving total rest room sanitation and hygiene.

ZeroFlush® has been developed to be the most economical and environmentally friendly waterless urinals in the global market.

The ZeroFlush® urinals can be used with either Pürleve's 'Liquid Odour Barrier System' or Pürleve's EnviroSeal™ system (either J-Trap or Elastomer).

All ZeroFlush® urinals come equipped with the following items to allow for complete installations:

- Mounting Hardware
- Wall Bracket
 - Drain Flange Coupler
 - Odour Barrier Liquid or EnviroSeal™ System
 - ZeroFlush® Insert Key
 - Drain Insert
 - Installation and Maintenance Instructions

Characteristics:

- Largest built-in waste trap of any waterless urinal
- Averages 15,000 uses or an estimated 6 months before any maintenance
- No Cartridges
- Free of odour
- Easiest to maintain and clean
- Lowest operational and maintenance cost
- No water or sewer cost
- Quickest return on investment
- Improved design reduces splash
- Easy installation and retrofitting
- Stainless steel
- No Leaky Valves
- No Hard Water Stains
- Eliminate Wasteful Flushing
- Eliminate Overflows
- Eliminate Flooding
- No Harsh Chemicals

Applications:

Visitors, Employees and Customers for all washrooms no longer need to waste expensive water (if available) while sacrificing hygiene and odour. The ZeroFlush® waterless urinals systems are located in the following areas:

- | | |
|--|--|
| <ul style="list-style-type: none"> o Hotels o Restaurants o Office Buildings o Food Service and Food Preparation | <ul style="list-style-type: none"> o Educational Facilities o Government o Clean Rooms o Healthcare Facilities |
|--|--|

Technical Data:

ZeroFlush® Product Trough 1526 Vitreous Stainless Steel No-Water Wall Hung Urinal with integral housing and drain insert.
Dimensions: 1526 mm W x 550 mm H x 400 mm D

Daily Cleaning: As with any other urinal ZeroFlush® urinals should be cleaned on a regular basis.

The ZeroFlush® urinals are designed with the maintenance person in mind. Cleaning is very quick and easy.

NO scrubbing with detergents is required or the use of odour masking devices or chemicals.

Meets ASME A112.19.2-2008 and ASME A112.19.19-2006 for Nonwater Consuming Urinals as referenced in both the UPC and IPC.

IAPMOIGC 161-2000 and ANZ125.9-94

