

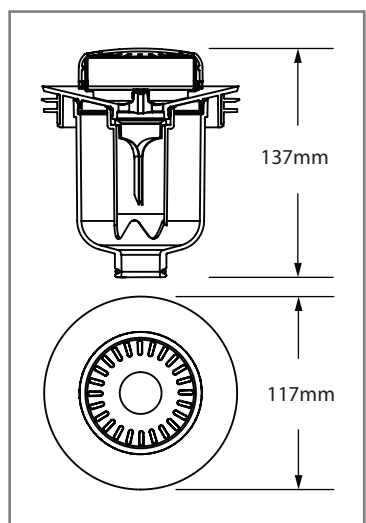
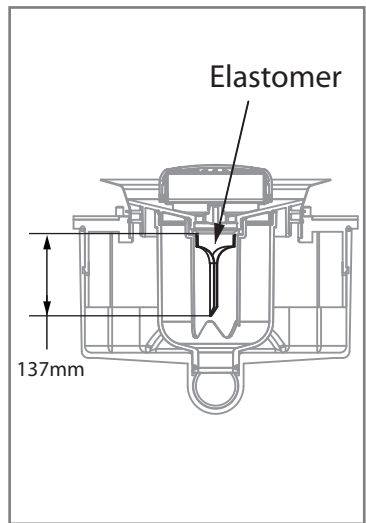
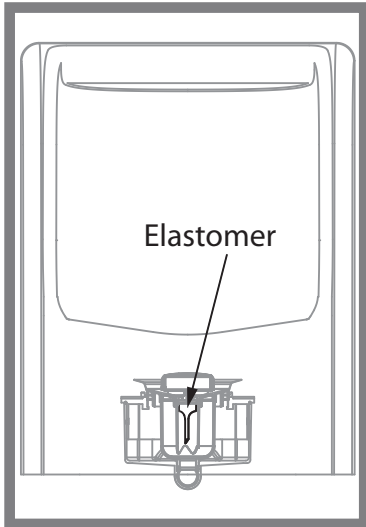


EnviroSeal™ Plus System

Elastomer Seal

ZERO FLUSH

WATERLESS URINAL



Description:

The EnviroSeal™ with Elastomer in combination with the ZeroFlush® waterless urinals, are the culmination of proven technology, environmental concern and continuous innovation. The patent pending system provides superior odourless performance and trouble free operation, while improving total washroom sanitation and hygiene.

Characteristics:

The EnviroSeal™ Plus system includes Silver Ion additives which release over a controlled rate at the surface of the polymer substrates (EnviroSeal™ parts). This imparts an effective and persistent antimicrobial effect which offers excellent resistance to washing and remains effective for the long term use of the EnviroSeal™.

- ZeroFlush® Certified system
- Recyclable EnviroSeal™ and BioPür™ Systems
- Estimated 6 months of use
- Enhanced Seal Protection and Pleasant Fragrance with BioPür™
- EnviroSeal™ system protected by Bionic Infusion to break down bacteria buildup
- All natural cleaner in BioPür™
- Easy maintenance and cleaning
- Lowest operational costs and most cost efficient system available

Applications:

The Elastomer Trap system is used globally in the following markets:

- | | |
|--|--|
| <ul style="list-style-type: none"> o Hotels o Restaurants o Office Buildings o Food Service and Food Preparation | <ul style="list-style-type: none"> o Educational Facilities o Government o Clean Rooms o Healthcare Facilities |
|--|--|

Technical Data:

EnviroSeal™ Elastomer Trap system provides an estimated 6 month solution for each ZeroFlush® Urinal. The system can be used with either a BioPür™ Enzyme Block or Premium Gel.

Storage Instructions:

Temperatures ranging from 8 degrees Celsius to 29 degrees Celsius are recommended. Do not expose to extreme damp / humid conditions.



HEADQUARTERS
26/75 Waterway Drive
Coomera, 4209

TELEPHONE
(07) 5502 3248

INTERNET
www.aquatemp.com.au