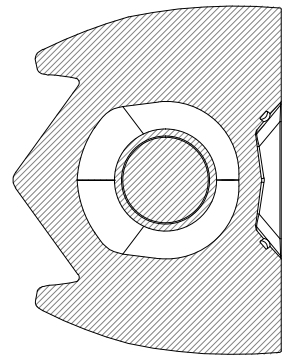
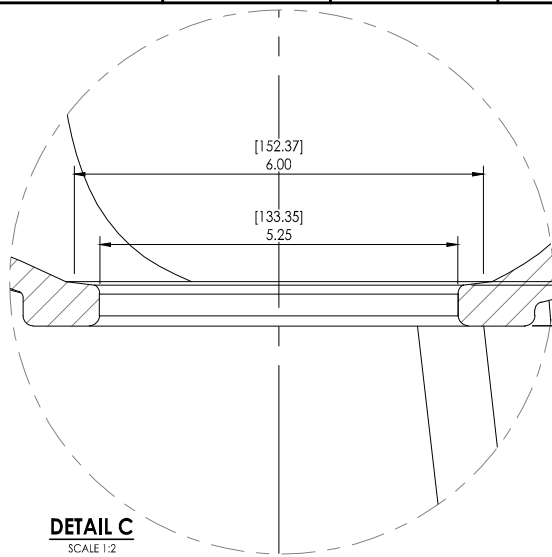


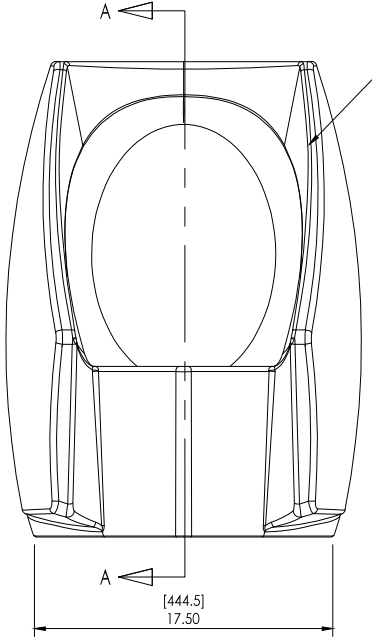
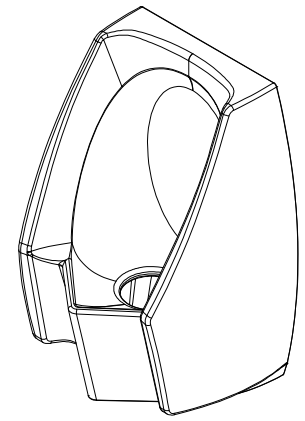
TOP VIEW



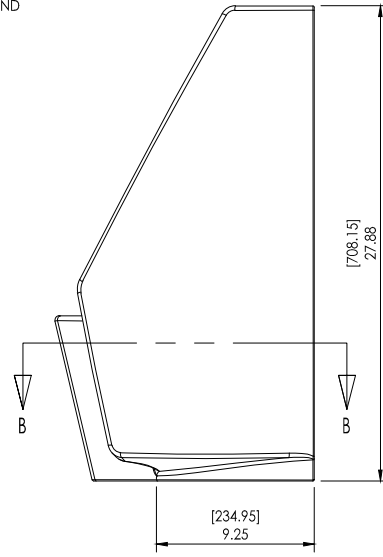
SECTION B-B



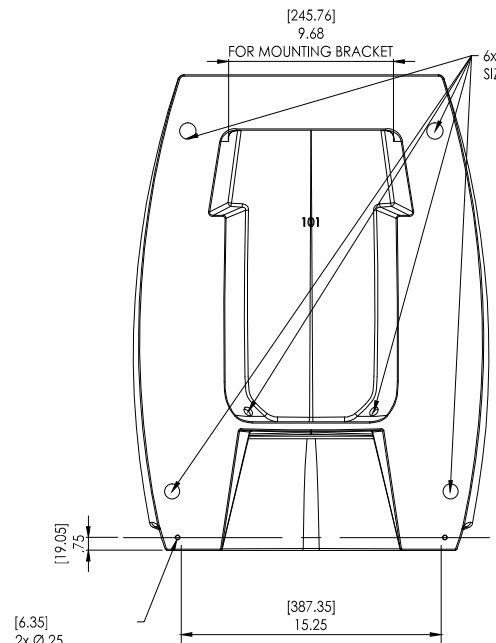
DETAIL C
SCALE 1:2



FRONT VIEW

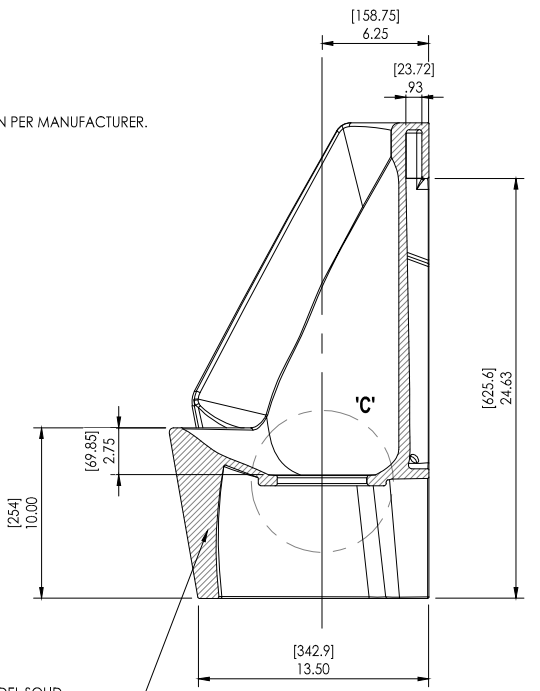


SIDE VIEW



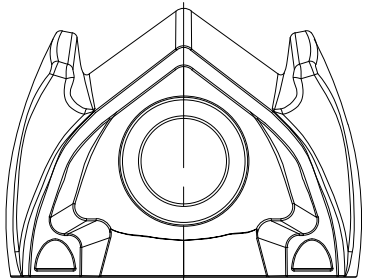
BACK VIEW

6x VENT HOLES.
SIZE AND LOCATION PER MANUFACTURER.



SECTION A-A

CAD MODEL SOLID
(MANUFACTURED VERSION TO
BE HOLLOWED OUT WITH .400"
NOMINAL WALL THICKNESS)



BOTTOM VIEW

ZF 101 URINAL

ALL DIMENSIONS ARE FORMATTED in/[mm]